

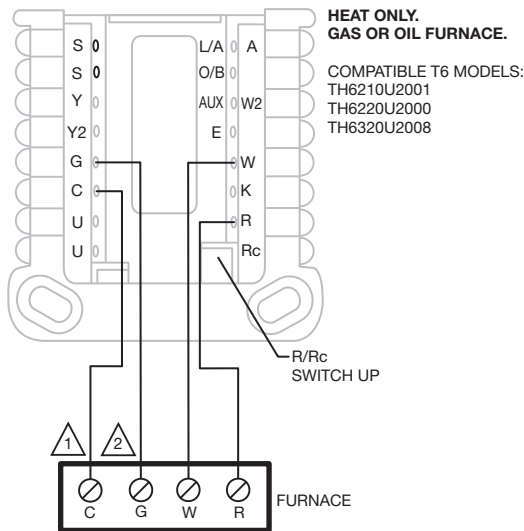
# T6 PRO Wiring Diagrams

## ADDENDUM

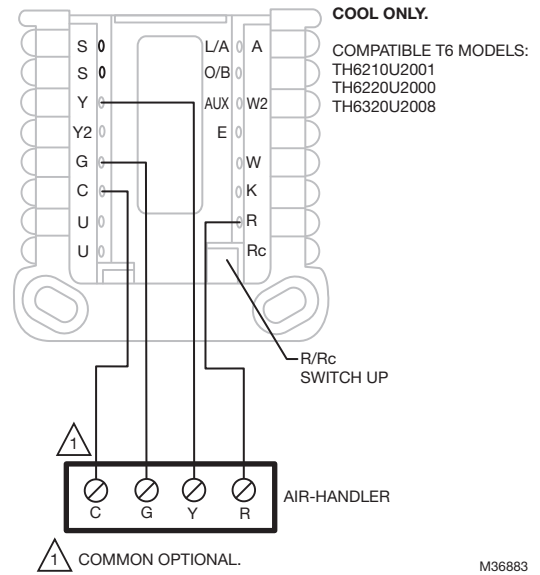
### WIRING DIAGRAMS

### Cool Only

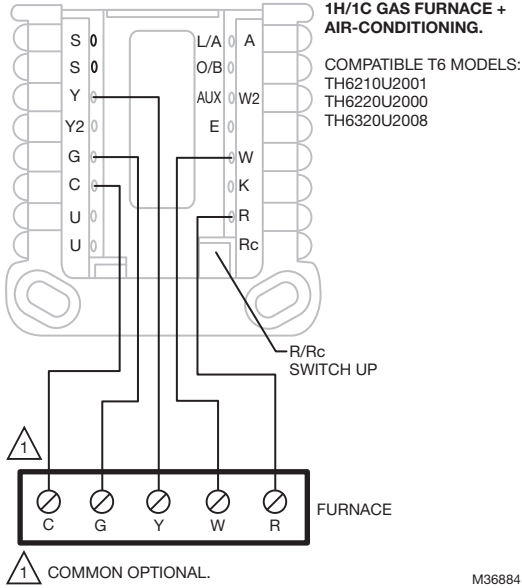
#### Heat Only: Gas or Oil Furnace



- 1 COMMON OPTIONAL.
  - 2 G USED FOR INDEPENDENT FAN CONTROL ONLY. MOST HEAT ONLY, GAS OR OIL FORCED AIR SYSTEMS DO NOT USE A FAN (G) WIRE.
- M36882

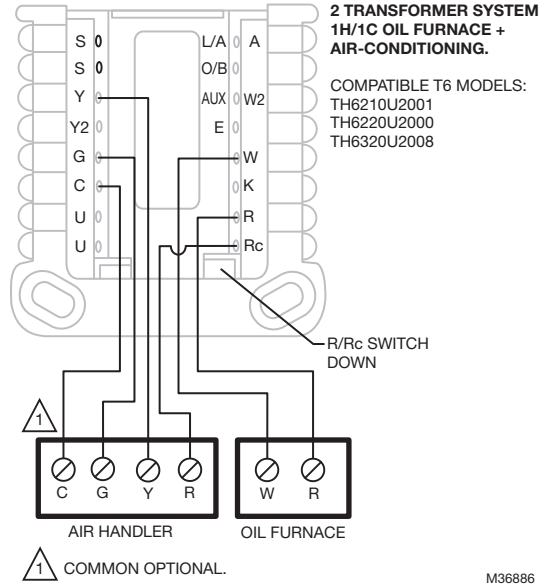


## 1H/1C: Gas Furnace



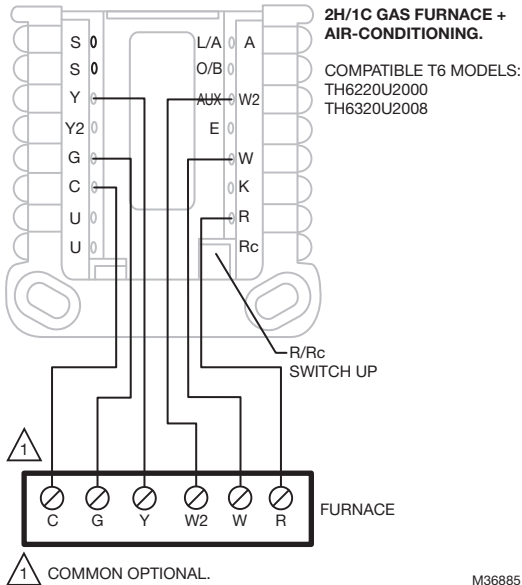
M36884

## 2 Transformer System, 1H/1C: Oil Furnace



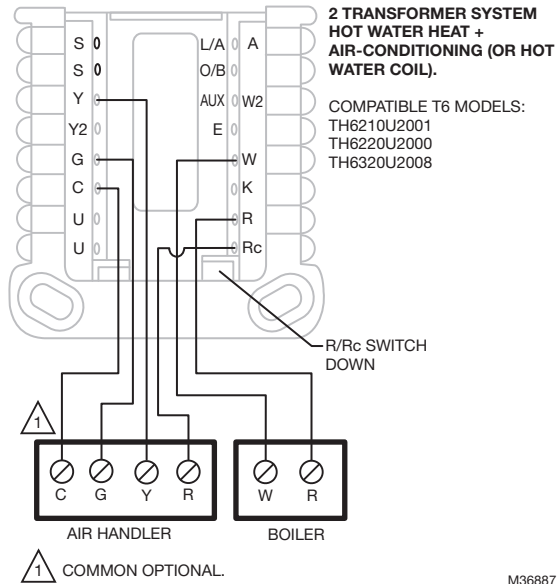
M36886

## 2H/1C: Gas Furnace



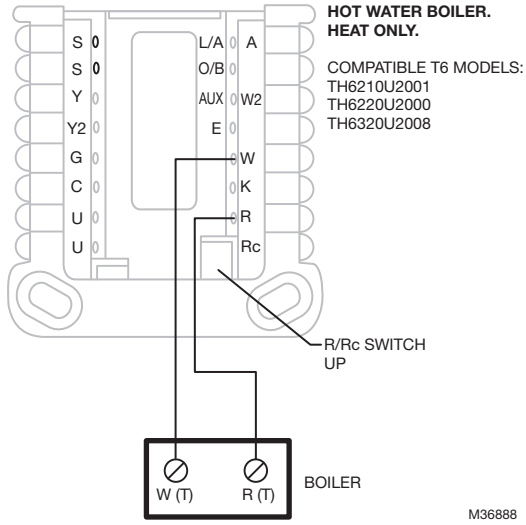
M36885

## 2 Transformer System, Hot Water Heat with Air-Conditioning (or Hot Water Coil)

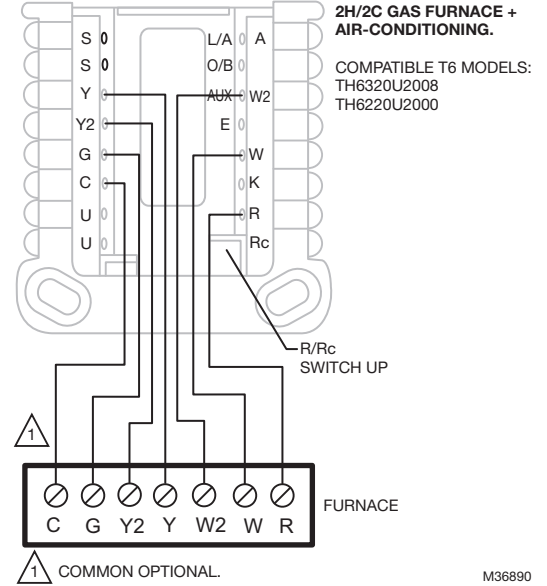


M36887

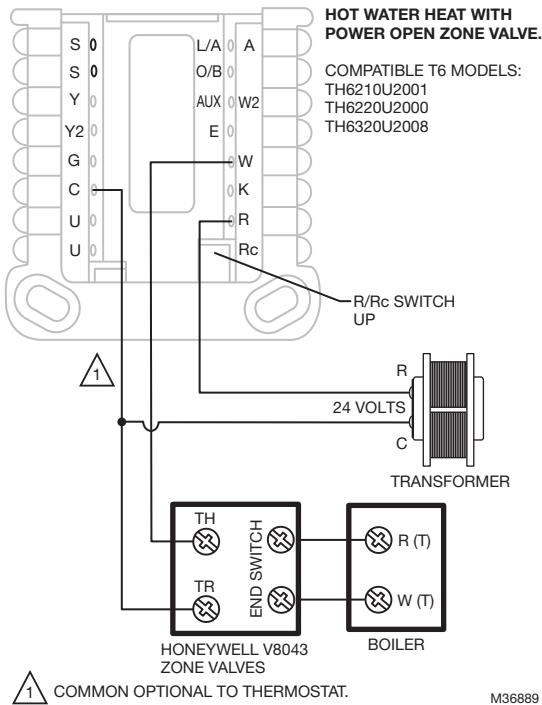
### Hot Water Boiler, Heat Only



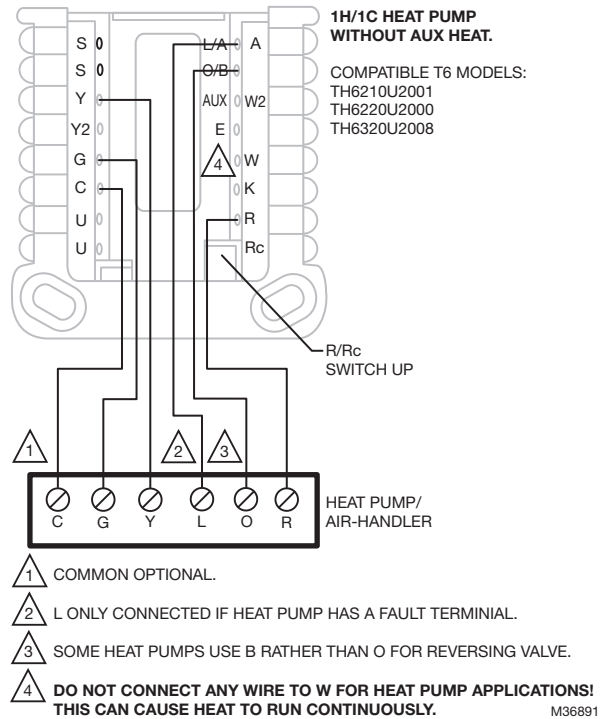
### 2H/2C: Gas Furnace



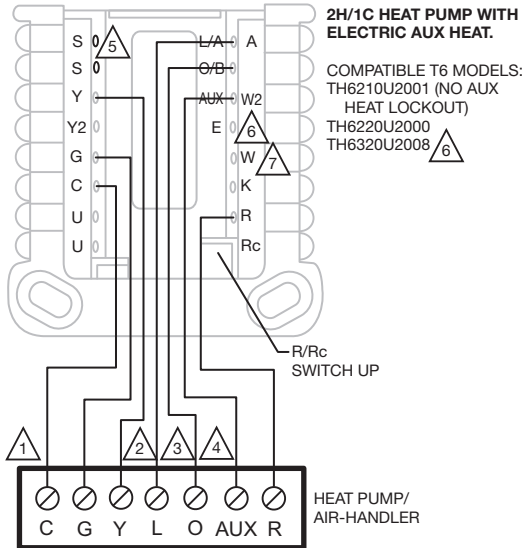
### Hot Water Heat with Power Open Zone Valve



### 1H/1C: Heat Pump without Aux Heat

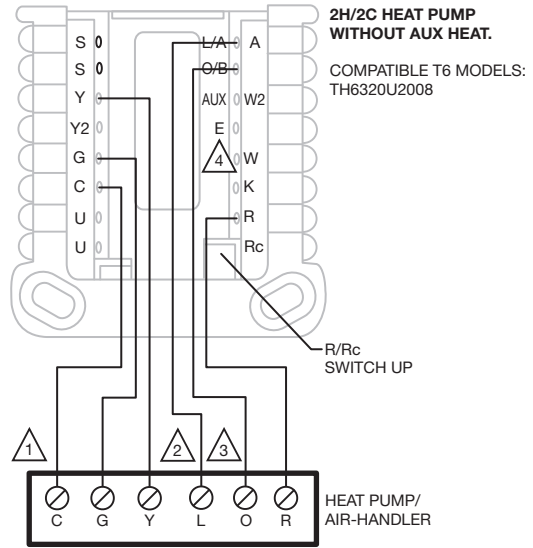


## 2H/1C: Heat Pump with Electric Aux Heat



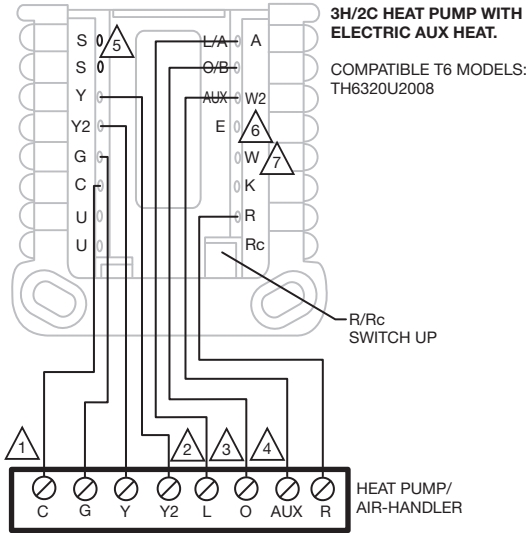
- 1 COMMON OPTIONAL.
  - 2 L ONLY CONNECTED IF HEAT PUMP HAS A FAULT TERMINAL.
  - 3 SOME HEAT PUMPS USE B RATHER THAN O FOR REVERSING VALVE.
  - 4 DIFFERENT HEAT PUMP MODELS LABEL THE AUXILIARY HEAT TERMINAL DIFFERENTLY THAN SHOWN. CONSULT HEAT PUMP WIRING GUIDE.
  - 5 IF LOCKOUT OF AUX HEAT ON HIGH OUTDOOR TEMPERATURE IS REQUIRED, WIRE C7089U1006 TO THE TWO "S" TERMINALS. TH6210U MODEL CANNOT DO AUX HEAT LOCKOUT.
  - 6 MOST HEAT PUMPS SHARE THE SAME SET OF HEAT STRIPS FOR AUX AND EM HEAT. IN THOSE CASES E ISN'T USED. THE TH6320U2008 MODEL CAN BE CONFIGURED FOR SEPARATE AUX AND E. IF THIS IS DONE, WIRE ONE SET OF STRIPS TO E TO BE ENERGIZED IN EM HEAT AND A DIFFERENT SET OF STRIPS TO AUX TO BE ENERGIZED IN AUX HEAT.
  - 7 **DO NOT CONNECT ANY WIRE TO W FOR HEAT PUMP APPLICATIONS! THIS CAN CAUSE HEAT TO RUN CONTINUOUSLY.**
- M36892

## 2H/2C: Heat Pump without Aux Heat



- 1 COMMON OPTIONAL.
  - 2 L ONLY CONNECTED IF HEAT PUMP HAS A FAULT TERMINAL.
  - 3 SOME HEAT PUMPS USE B RATHER THAN O FOR REVERSING VALVE.
  - 4 **DO NOT CONNECT ANY WIRE TO W FOR HEAT PUMP APPLICATIONS! THIS CAN CAUSE HEAT TO RUN CONTINUOUSLY.**
- M36893

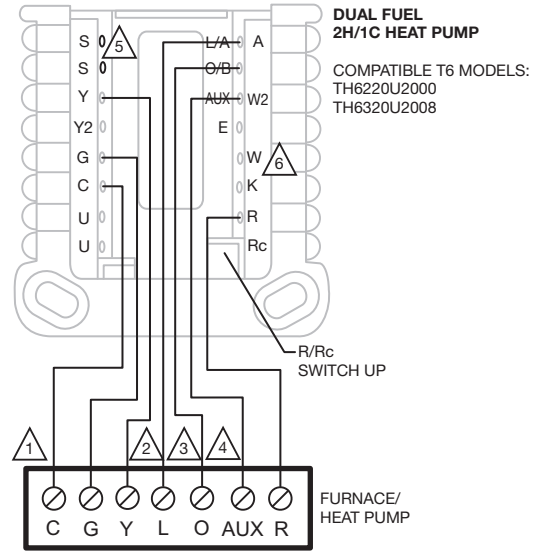
### 3H/2C Heat Pump with Electric Aux Heat



- 1 COMMON OPTIONAL.
- 2 L ONLY CONNECTED IF HEAT PUMP HAS A FAULT TERMINAL.
- 3 SOME HEAT PUMPS USE B RATHER THAN O FOR REVERSING VALVE.
- 4 DIFFERENT HEAT PUMP MODELS LABEL THE AUXILIARY HEAT TERMINAL DIFFERENTLY THAN SHOWN. CONSULT HEAT PUMP WIRING GUIDE.
- 5 IF LOCKOUT OF AUX HEAT ON HIGH OUTDOOR TEMPERATURE IS REQUIRED, WIRE C7089U1006 TO THE TWO "S" TERMINALS.
- 6 MOST HEAT PUMPS SHARE THE SAME SET OF HEAT STRIPS FOR AUX AND EM HEAT. IN THOSE CASES E ISN'T USED. THE TH6320U2008 MODEL CAN BE CONFIGURED FOR SEPARATE AUX AND E. IF THIS IS DONE, WIRE ONE SET OF STRIPS TO E TO BE ENERGIZED IN EM HEAT AND A DIFFERENT SET OF STRIPS TO AUX TO BE ENERGIZED IN AUX HEAT.
- 7 **DO NOT CONNECT ANY WIRE TO W FOR HEAT PUMP APPLICATIONS! THIS CAN CAUSE HEAT TO RUN CONTINUOUSLY.**

M36894

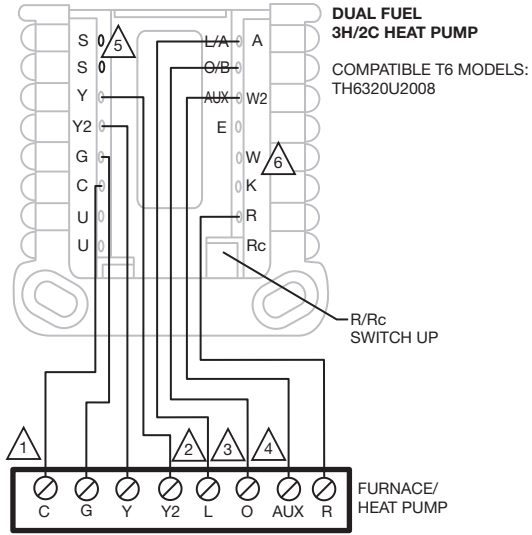
### Dual Fuel, 2H/1C: Heat Pump



- 1 COMMON OPTIONAL.
- 2 L ONLY CONNECTED IF HEAT PUMP HAS A FAULT TERMINAL.
- 3 SOME HEAT PUMPS USE B RATHER THAN O FOR REVERSING VALVE.
- 4 DIFFERENT HEAT PUMP MODELS LABEL THE AUXILIARY HEAT TERMINAL DIFFERENTLY THAN SHOWN. CONSULT HEAT PUMP WIRING GUIDE.
- 5 WIRE C7089U1006 TO THE TWO "S" TERMINALS.
- 6 **DO NOT CONNECT ANY WIRE TO W FOR HEAT PUMP APPLICATIONS! THIS CAN CAUSE HEAT TO RUN CONTINUOUSLY.**

M36895

## Dual Fuel, 3H/2C: Heat Pump



- 1 COMMON OPTIONAL.
- 2 L ONLY CONNECTED IF HEAT PUMP HAS A FAULT TERMINAL.
- 3 SOME HEAT PUMPS USE B RATHER THAN O FOR REVERSING VALVE.
- 4 DIFFERENT HEAT PUMP MODELS LABEL THE AUXILIARY HEAT TERMINAL DIFFERENTLY THAN SHOWN. CONSULT HEAT PUMP WIRING GUIDE.
- 5 WIRE C7089U1006 TO THE TWO "S" TERMINALS.
- 6 **DO NOT CONNECT ANY WIRE TO W FOR HEAT PUMP APPLICATIONS! THIS CAN CAUSE HEAT TO RUN CONTINUOUSLY.**

M36896



**Home and Building Technologies**

In the U.S.:

Honeywell

1985 Douglas Drive North

Golden Valley, MN 55422-3992

[customer.honeywell.com](http://customer.honeywell.com)

® U.S. Registered Trademark  
© 2017 Honeywell International Inc.  
33-00323-01 M.S. 07-17  
Printed in United States

**Honeywell**